

ONKYO SERVICE MANUAL

AV Surround Processor

MODEL ES-300

UD	120V AC, 60Hz
UW	120V/220V AC, 50Hz/60Hz
UQA	240V AC, 50Hz

SAFETY-RELATED COMPONENT WARNING!!

COMPONENTS IDENTIFIED BY MARK Δ ON THE SCHEMATIC DIAGRAM AND IN THE PARTS LIST ARE CRITICAL FOR RISK OF FIRE AND ELECTRIC SHOCK. REPLACE THESE COMPONENTS WITH ONKYO PARTS WHOSE PARTS NUMBERS APPEAR AS SHOWN IN THIS MANUAL.

MAKE LEAKAGE-CURRENT OR RESISTANCE MEASUREMENTS TO DETERMINE THAT EXPOSED PARTS ARE ACCEPTABLY INSULATED FROM THE SUPPLY CIRCUIT BEFORE RETURNING THE APPLIANCE TO THE CUSTOMER.

TABLE OF CONTENTS

Specifications	2
Precautions	2
Block diagram	3
IC block diagram	4
Chassis exploded view	6
Exploded view parts list	7
Adjustment procedures	8
Front panel facilities	8
Printed board parts list	9
System connections	11
Printed circuit board view	12
Schematic diagram	13
Packing parts list	17



SPECIFICATIONS

Power Output	30 Watts per channel, min. RMS, at 8 ohms, both channels driven, from 40 to 20 kHz, with no more than 0.09 % total harmonic distortion. (Power Amplifier Section)
Total Harmonic Dist. Output (DECODER)	0.09 % at 30 Watts (Power Amplifier Section)
Sensitivity and Imp.	150 mV (Master volume max.) Dolby : 150 mV, 30 kohms Theater : 150 mV, 30 kohms Hall : 300 mV, 30 kohms
Frequency Response	40 to 7,000 Hz, +0/-3 dB (DOLBY)
Signal to Noise Ratio	79 dB (DOLBY, IHF-A, Shorted)
Delay Time	20 ms/30 ms
Power Supply Rating	USA & Canadian models: AC 120 V, 60 Hz U.K. & Australian models: AC 240 V, 50 Hz Worldwide models: 120 and 220 V swichable 50/60 Hz
Dimensions	435 W x 89 H x 274 D mm 17 1/8" x 3 4/8" x 10 13/16"
Weight	4.5 kg, 9.9 lbs.

Specifications and features are subject to change without notice.

PRECAUTIONS

1. Replacing the fuses

For continued protection against risk fire, replace only with same type and same rating fuse.

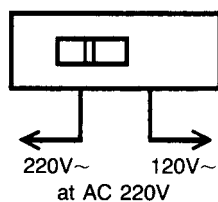
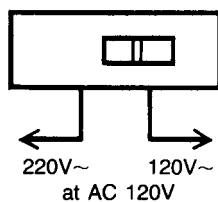
CIRCUIT NO.	PART NO.	DESCRIPTION
F1	252123	2A-UL-5TT, Primary fuse (120V model)
F1	252125	T1 .25A/250V, Primary fuse (240V model)
F2	252124	T2A/250V, Primary fuse (120V/220V model)
F3	252125	T1 .25A/250V, Primary fuse (120V/220V model)

2. Insulation resistance measurement (Only U.S.A. model)

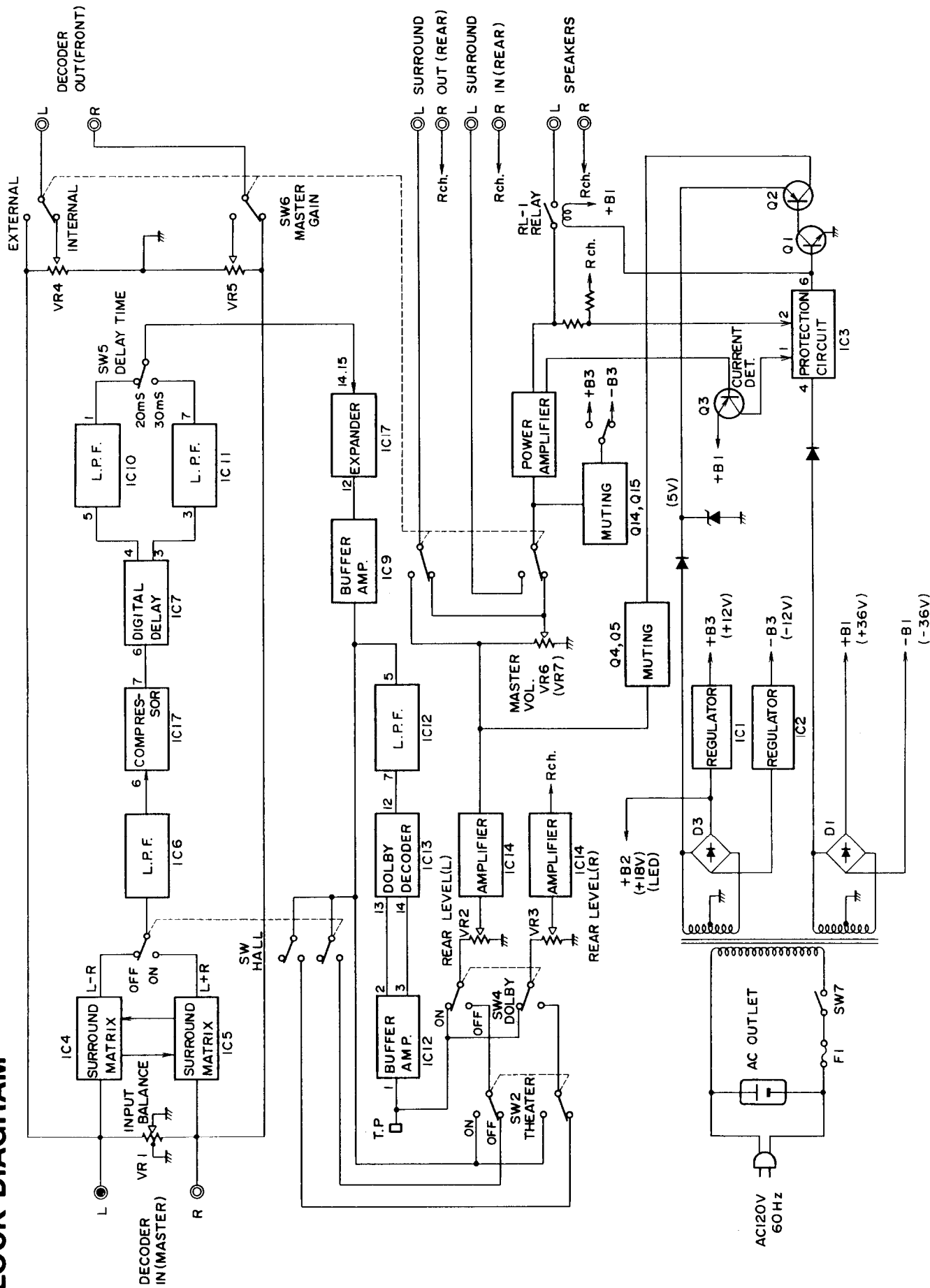
Connect the insulating-resistance tester between the plug of power supply cable and the terminal GND on the back panel.
Specifications; More than 10 MΩ at 500V.

3. Voltage selector (rear panel)

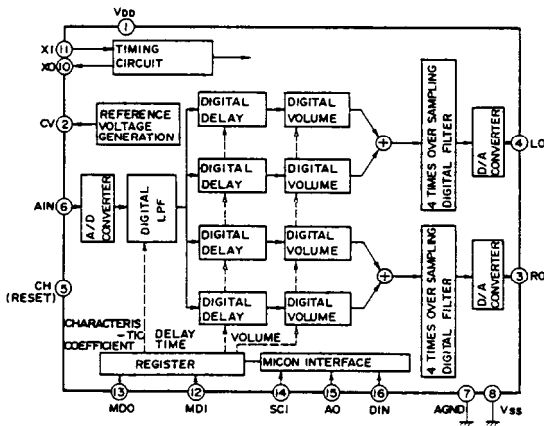
Worldwide models are equipped with a voltage selector to conform with local power supplies. Be sure to set this switch to match the voltage of the power supply in your area before turning the power switch on. Voltage is changed by sliding the groove in the switch with a screwdriver to the right or left. Confirm that the switch has been moved all the way to the right or left before turning the power switch on. Models without a voltage selector can only be used in areas where the power supply is the same as that of the unit.



BLOCK DIAGRAM

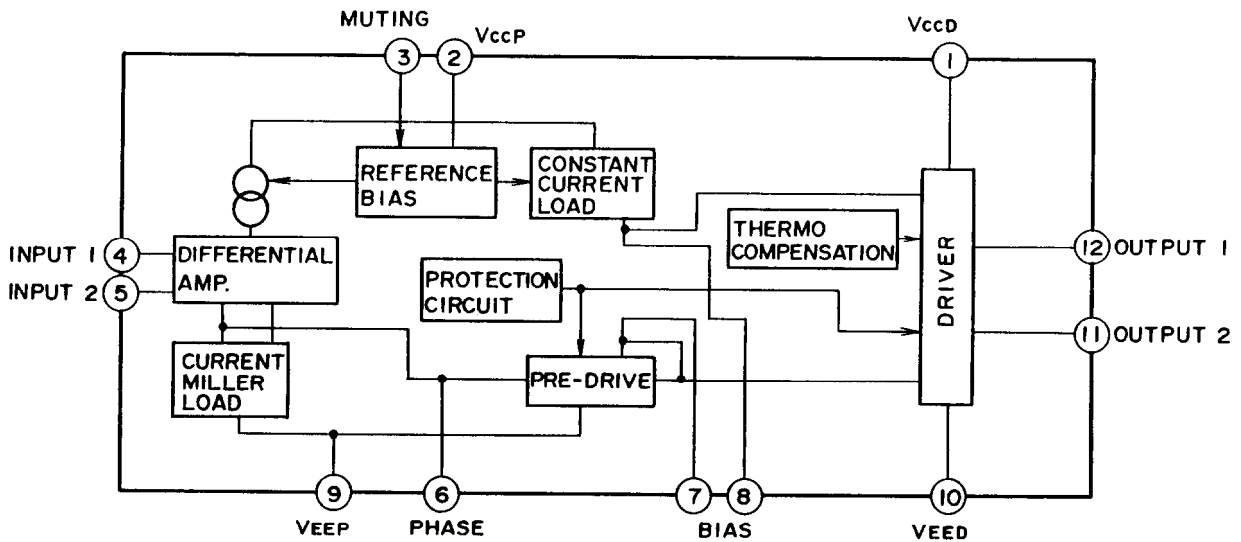


YM3428 (Digital Surround)



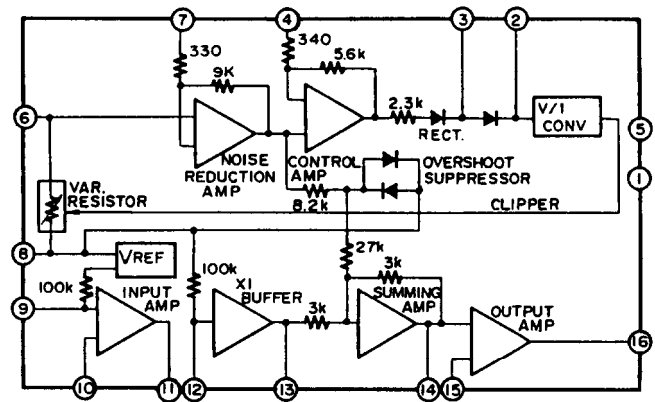
Pin No.	Terminal	I/O	Descriptions
1	V _{DD}		Power supply terminal. (+5V)
2	CV	O	Reference voltage output for A/D converter. (+2.5V)
3	RO	O	Right channel output (D/A converter analog output)
4	LO	O	Left channel output (D/A converter analog output)
5	CH	O	Capacitor connection terminal for sampling hold.
6	AIN	I	Analog signal input terminal.
7	AGND		Ground terminal of A/D and D/A converters. Connect to terminal V _{SS} .
8	V _{SS}		Ground terminal.
9	/IC	I	Rest terminal.
10	XO	O	Connect to the crystal oscillator.
11	XI	I	The terminal XI is the clock input terminal when used the external clock.
12	MD1	I	Mode setting terminals.
13	MD0	I	
14	SCI	I	Data shift clock input terminal when used the microprocessor.
15	A0	I	Address/data identifier signal input terminal when used the microprocessor.
16	DIN	I	Data input terminal when used the microprocessor.

μPC1270H (Power Amplifier Driver)

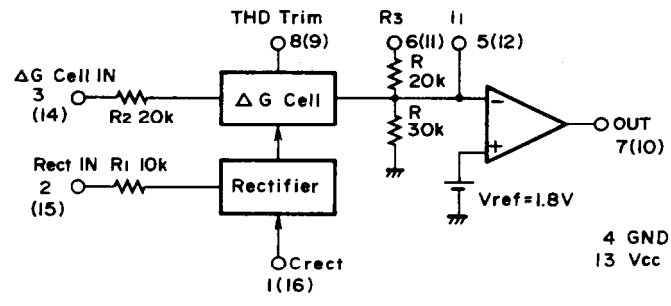


LA2730 (Dolby Encoder/Decoder)

- | | | | |
|--------------------|---|----|-----------------|
| GND | 1 | 16 | OUTPUT AMP OUT |
| RECT. FILTER | 2 | 15 | OUTPUT AMP GAIN |
| RECT. FILTER | 3 | 14 | SUMMING AMP OUT |
| CONTROL GAIN | 4 | 13 | BUFFER OUT |
| V+ | 5 | 12 | BUFFER IN |
| NOISE RED. IN | 6 | 11 | INPUT AMP OUT |
| N. R. AMP DECCUPLE | 7 | 10 | INPUT AMP GAIN |
| VREF | 8 | 9 | INPUT AMP IN |

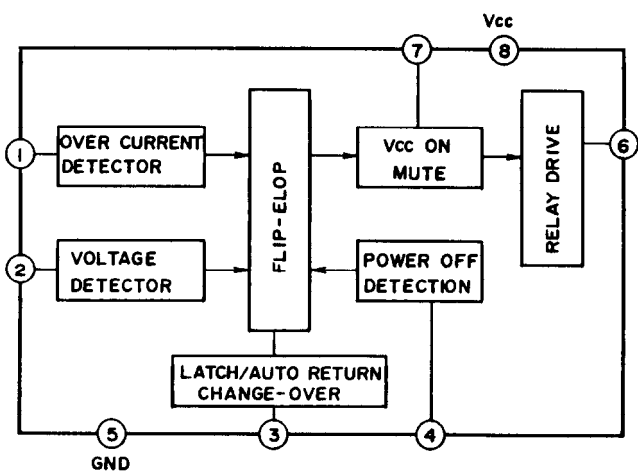


μPC1571C (Noise Ruduction Circuit)

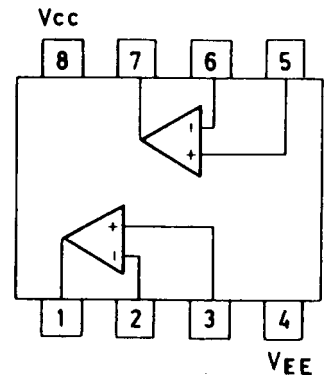


Pin No.	Function	Pin No.	Function
1	Crect1	9	THD Trim 2
2	Rect IN1	10	OUT 2
3	Δ G Cell IN1	11	R ₃ 2
4	GND	12	I ₁ 2
5	I ₁ 1	13	V _{cc}
6	R ₃ 1	14	Δ G Cell IN 2
7	OUT 1	15	Rect IN 2
8	THD Trim 1	16	Crect 2

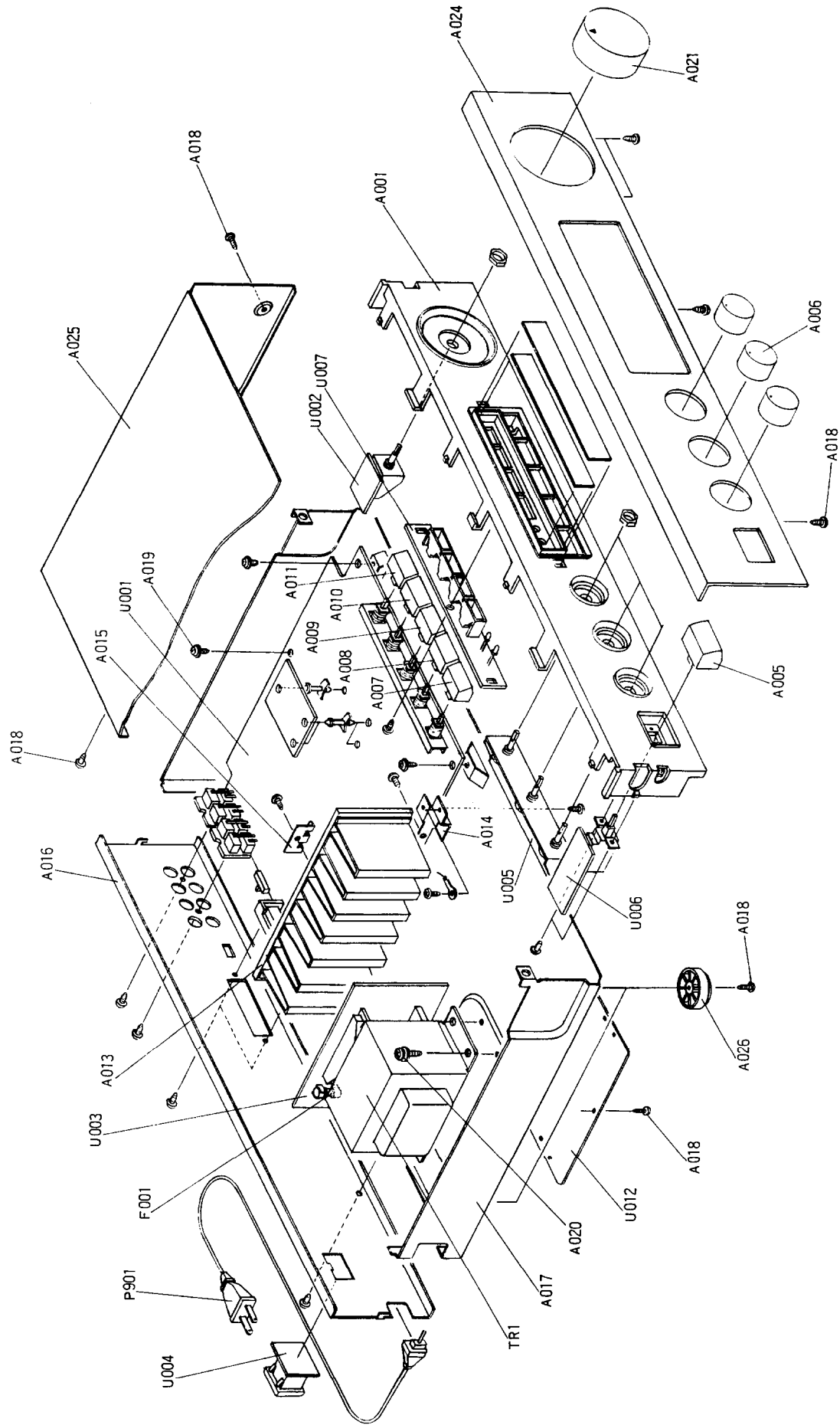
μPC1237H (Protective Circuit)



NJM4558DX (Operation Amplifier)



CHASSIS-EXPLODED VIEW



CHASSIS-EXPLODED VIEW-PARTS LIST

REF. NO.	PART NO.	DESCRIPTION	REF. NO.	PART NO.	DESCRIPTION
A001	27110584	FRONT GUIDE PANEL ASS'Y	U005	1W065533-1	NAETC-3933-1, VARIABLE RESISTOR (REAR), PC BOARD ASS'Y [D]
(A002)	27110580	GUIDE PANEL			
(A003)	28191564	CLEAR PANEL			
(A004)	28133246	BACK PLATE		1W065533-1A	NAETC-3933-1A, VARIABLE RESISTOR (REAR), PC BOARD ASS'Y [W]
A005	28323970	KNOB (POW)			
A006	28323240	KNOB (TONE)			
A007	28324053	KNOB (DEL)		1W065533-1B	NAETC-3933-1B, VARIABLE RESISTOR (REAR), PC BOARD ASS'Y [A]
A008	28324054	KNOB (DOL)			
A009	28324055	KNOB (THEA)	U006	1W065534-1	NAETC-3934-1, POWER SWITCH PC BOARD ASS'Y [D]
A010	28324056	KNOB (HALL)			
A011	28324057	KNOB (OFF)			
A012	27130618	BRACKET (PT)		1W065534-1A	NAETC-3934-1A, POWER SWITCH PC BOARD ASS'Y [W]
A013	27160260	HEATSINK			
A014	27141406	BRACKET (HEAT)		1W065534-1B	NAETC-3934-1B, POWER SWITCH PC BOARD ASS'Y [A]
A015	27141407	BRACKET (TR)	U007	1W065535-1	NADIS-3935-1, DISPLAY (LED) PC BOARD ASS'Y
A016	27121352	REAR PANEL [D]			
	27121352-1	REAR PANEL [W]			
	27121352-2	REAR PANEL [A]	U009	1W065548-1	NASW-3948-1, SLIDE SWITCH PC BOARD ASS'Y [W]
A017	27100217	CHASSIS			
A018	838430088	3TTB+8BBC, TAPPING SCREW			
A019	831130088	3TTW+8B, TAPPING SCREW			
A020	801450	4SMP10WSW+10CBC, SPECIAL TAPPING SCREW			
A021	28323242A	KNOB ASS'Y (VOL)			
A024	27211215	FRONT PANEL			
A025	28184461	TOP COVER			
A026	27175217	BOTTOM LEG			
▲ TR-1	2300573	NPT-1076D, POWER TRANSFORMER [D]			
	2300574	NPT-1076DG, POWER TRANSFORMER [W]			
	2300575	NPT-1076Q, POWER TRANSFORMER [A]			
▲ P901	253165	AS-UL/CSA(WP), POWER SUPPLY CABLE[D]			
	253154	AS-EQ540-UW, POWER SUPPLY CABLE [W]			
	253155	AS-EQ540-UQA, POWER SUPPLY CABLE [A]			
▲ F1	252123	2A-UL-5TT, PRIMALY FUSE [D]			
	252125	T1.25A/250V, PRIMALY FUSE [A]			
▲ F2	252124	T2A/250V, PRIMALY FUSE [W]			
▲ F3	252125	T1.25A/250V, PRIMALY FUSE [W]			
Q6, Q7	2211255	2SC1815GR, TRANSISTOR			
Q8, Q9	2202303 OR	2SC4512O OR			
	2202304	2SC4512Y, TRANSISTOR			
Q10, Q11	2202313 OR	2SA1726O OR			
	2202314	2SA1726Y, TRANSISTOR			
U001	1W065529-1	NAAF-3929-1, MAIN CIRCUIT PC BOARD ASS'Y [D]			
	1W065529-1A	NAAF-3929-1A, MAIN CIRCUIT PC BOARD ASS'Y [W]			
	1W065529-1B	NAAF-3929-1B, MAIN CIRCUIT PC BOARD ASS'Y [A]			
U002	1W065530-1	NAETC-3930-1, MASTER VOLUME PC BOARD ASS'Y			
U003	1W065531-1	NAETC-3931-1, FUSE CIRCUIT PC BOARD ASS'Y [D]			
	1W065531-1A	NAETC-3931-1A, FUSE CIRCUIT PC BOARD ASS'Y [W]			
	1W065531-1B	NAETC-3931-1B, FUSE CIRCUIT PC BOARD ASS'Y [A]			
U004	1W065532-1	NAETC-3932-1, AC OUTLET PC BOARD ASS'Y			

NOTE [D]: ONLY 120V MODEL
[W]: ONLY 120V/220V MODEL
[A]: ONLY AUSTRALIAN MODEL

NOTE: THE COMPONENTS IDENTIFIED BY MARK ▲ ARE CRITICAL FOR RISK OF FIRE AND ELECTRIC SHOCK. REPLACE ONLY WITH PART NUMBERS SPECIFIED.

1. Preparations

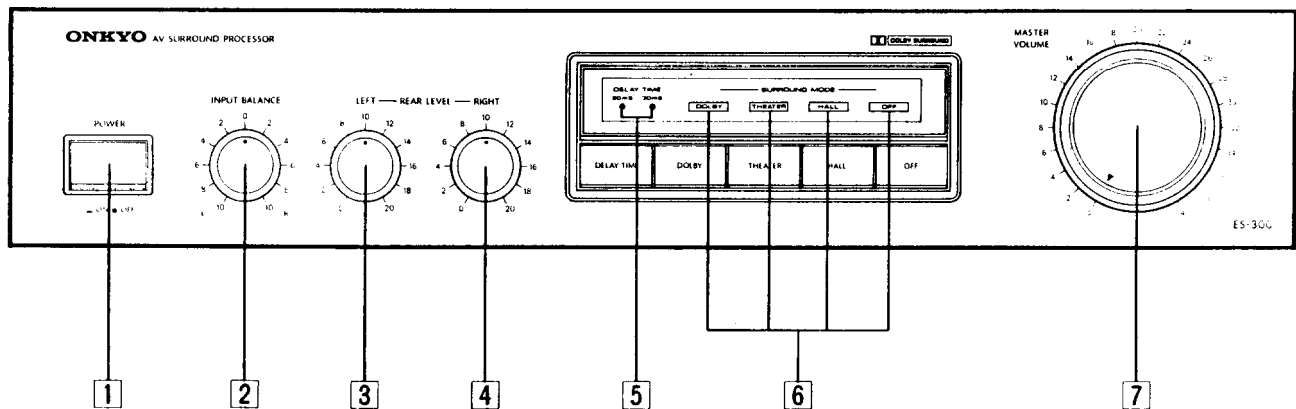
- 1) Place the unit on the workbench.
- 2) Set up the unit as follows.
 - (1) No load
 - (2) No signal
 - (3) Volume turned all the way down
 - (4) Power switch off

2. Adjustment of idling current

- 1) Turn the power switch ON and allow the unit to warm up for about 10 minutes.
Adjust VR9 (VR10) so that the voltage at test point "BIAS" socket on the NAAF-3929 circuit board is 10 mV.

Note) Semi-fixed resistors enclosed in parentheses () are for the right channel.

FRONT PANEL FACILITIES



- 1] POWER Switch (POWER)**
Press once to turn on the power. Press again to turn off the power.
- 2] INPUT BALANCE Control Knob (INPUT BALANCE)**
Use this control to adjust the relative volume level of the left and right channel input. (For details, see Operations)
- 3] REAR LEVEL - LEFT Control Knob (REAL LEVEL - LEFT)**
Use this control to adjust the volume level of the rear left channel speaker.
- 4] REAR LEVEL - RIGHT Control Knob (REAR LEVEL - RIGHT)**
Use this control to adjust the volume level of the rear right channel speaker.
- 5] DELAY TIME Switch and Indicators (DELAY TIME)**
When the Surround Mode is set to DOLBY, THEATER, or HALL, this switch can be used to set the delay time of the sound from the rear speakers to 20ms or 30ms. Select the delay time depending on the positions of the front and rear speakers to improve the sound effect.
- 6] SURROUND MODE Switches and Indicators**
DOLBY: Press to produce a Dolby Surround effect for programs recorded by a Dolby Surround system.
THEATER: Press to produce the acoustic effect of a movie theater.
 The REAR signal is generated from the difference between the left and right channel signal levels. The rear speakers thus basically produce no sound when the input source is monaural (left=right), but will produce sound if the REAR-L and REAR-R input signals have different levels.
HALL: Press to produce the acoustic effect of a concert hall.
OFF: Press to disable the Surround effect (no sound is produced from the rear speakers).
- 7] MASTER VOLUME Control Knob (MASTER VOLUME)**
Use this control to simultaneously adjust the volume level of both the front and rear speakers. If an ONKYO preamplifier with SURROUND jacks is connected and the MASTER GAIN switch is set to EXTERNAL, the overall volume cannot be adjusted by this control.

PRINTED CIRCUIT BOARD PARTS LIST

MAIN CIRCUIT PC BOARD (NAAF-3929-1, NAAF-3929-1A, NAAF-3929-1B)-PART LIST

CIRCUIT NO.	PART NO.	DESCRIPTION	CIRCUIT NO.	PART NO.	DESCRIPTION
	PC board ass'y				
U008	1W065536-1	NAAF-3936-1	C67, C68	371124714	470pF, 50V, Mylar
	ICs		C69, C70	354780229	2.2 μ F, 50V, Elect.
IC1	222780125	78M12HF	C73, C74, C79	354781019	100 μ F, 50V, Elect.
IC2	222790125	79M12HF	C80		
IC3	22240360	μ PC1237H	C77, C78	371123334	0.033 μ F, 50V, Mylar
IC4~IC6	222502	NJM4558DX	C81, C82	375524734	0.047 μ F, 50V, Film (MMT)
IC10~IC12			C83	354754709	47 μ F, 25V, Elect.
IC14			C84	371121834	0.018 μ F, 50V, Mylar
IC7	22240281	YM3428	C111, C112	371122224	2200pF, 50V, Mylar
IC8	222780053	78L05			
IC13	22240139	LA2730	Resistors		
IC15, IC16	22240359	μ PC1270H	R13	442623914	390 Ω , 1W, Metal oxide film
	Transistors		R48, R128	442521004	10 Ω , 1/2W, Metal oxide film
Q1	2213284	2SC1740SR	R129, R138		
Q2	2213750	DTA144ES	R139, R142		
Q3	2212205	2SA1175EF	R122, R123	4800048	0.22 Ω ×2, METAL PLATE
Q4, Q5	2213683	2SC3327A	VR9, VR10	5210227	N06HR500BC, Semi fixed
Q12, Q13	2212215	2SC2785EF			
Q14, Q15	2213683	2SC3327A	Switches		
	Diodes		SW1~SW5	25035626	NPS-342-162-L584, Push switch
D1	22380037	KBU6DL	SW6	25065395	NSS-62149, Slide switch
D2, D4, D12	223188	MPG06B			
D3	223892	DF02M	Input terminals		
D5	224450512T	MTZ5.1B, Zener	25045297	NPJ-4PDBL156	
D7~D11	223172	1SS131	Terminal		
D15, D16			25060150	NTM-4PDML078	
	Coils		Plugs		
L1, L2	231174	S-1.0A	25055100	NPLG-3P84	
	Osc. element		25055146	NPLG-2P130	
X1	3010162	KBR3.5MES	Relay		
	Capacitors		RL1	25065389	NRL-2P2A-DC24-064
C1, C2	354751029	1000 μ F, 25V, Elect.	Jumper sockets		
C3, C4	354741019	100 μ F, 16V, Elect.	25050142	NJPS-5P-S	
C5, C32	354752219	220 μ F, 25V, Elect.	25050143	NJPS-6P-S	
C7, C8	3500126	6800 μ F, 50V, Elect.	25050144	NJPS-7P-S	
C9, C31	354780479	4.7 μ F, 50V, Elect.	Sockets ass'y		
C10	354732219	220 μ F, 10V, Elect.	CN51	2009990101	NSAS-6P0141
C11	354782209	22 μ F, 50V, Elect.	CN54, CN56	2009990100	NSAS-4P0140
C12	354781009	10 μ F, 50V, Elect.	Heatsink		
C16, C17, C22	354780109	1 μ F, 50V, Elect.	27160256		
C37, C38, C48			Holder		
C51, C59			27190781	Holder (PC)	
C89~C91					
C23, C26, C39	371121524	1500pF, 50V, Mylar			
C40					
C25, C28, C43	371124724	4700pF, 50V, Mylar			
C44, C53, C58					
C30	371121024	1000pF, 50V, Mylar			
C33	354734709	47 μ F, 10V, Elect.			
C46	371121834	0.018 μ F, 50V, Mylar			
C47	371121824	1800pF, 50V, Mylar			
C49	354783399	0.33 μ F, 50V, Elect.			
C50	354781099	0.1 μ F, 50V, Elect.			
C52	371123334	0.033 μ F, 50V, Mylar			
C54	371122734	0.027 μ F, 50V, Mylar			
C55	354742209	22 μ F, 16V, Elect.			
C56, C71, C72	354741019	100 μ F, 16V, Elect.			
C57, C88, C92	354741009	10 μ F, 16V, Elect.			
C60~C64					

MASTER VOLUME PC BOARD (NAETC-3930-1)-PART LIST

CIRCUIT NO.	PART NO.	DESCRIPTION
	Resistors	
VR4 (VR5~VR7)	5104273	N16RGL50KA20F
	Plate	
	27150303	Shield plate (B)

FUSE CIRCUIT PC BOARD (NAETC-3931-1, NAETC-3931-1A, NAETC-3931-1B)-PART LIST

CIRCUIT NO.	PART NO.	DESCRIPTION
△ C100	Capacitor 3500077	4700pF, AC400V/125V, IS
	Fuse holder 27190765	[W]
	Fuse label 29361263	T1.25A/250V [A]
F1a	Plug 25055490	NPLG-2P465
CN7 CN10	Sockets ass'y 2009990095	NSAS-6P0134
	2009990096	NSAS-6P0135

AC OUTLET PC BOARD (NAETC-3932-1)-PART LIST

CIRCUIT NO.	PART NO.	DESCRIPTION
	Outlet 25050411	NSCT-2P236

VARIABLE RESISTOR (REAR) PC BOARD (NAETC-3933-1, NAETC-3933-1A, NAETC-3933-1B)-PART LIST

CIRCUIT NO.	PART NO.	DESCRIPTION
VR1 VR2, VR3	Resistors 5146056	N16RLC200KBTP20F, Variable
	5146057	N16RL100KA20F, Variable
	Plate 27150302	Shield plate (A)
CN13	Socket 2009990102	NSAS-6P0142

POWER SWITCH PC BOARD (NAETC-3934-1, NAETC-3934-1A, NAETC-3934-1B)-PART LIST

CIRCUIT NO.	PART NO.	DESCRIPTION
△ C13	Capacitor 3500065A	0.01μF, AC400V/125V
	Switch 25035627	NPS-111-L585P
△ SW7	Socket ass'y 2009990093	NSAS-2P0132

DISPLAY PC BOARD (NADIS-3935-1)-PART LIST

CIRCUIT NO.	PART NO.	DESCRIPTION
	Diodes	
LED1	225227	SLV-31VC, LED
LED2~LED4	225228L	SLV-31MC(L), LED
LED5, LED6	225261	SLR-34MC, LED
	Holder 27190773	LED holder

EXPANDER CIRCUIT PC BOARD (NAAF-3936-1)-PART LIST

CIRCUIT NO.	PART NO.	DESCRIPTION
	ICs	
IC9	222502	NJM-4558DX
IC17	22240131	μPC1571C
	Capacitors	
C29, C97	354780109	1μF, 50V, Elect.
C45, C101	354741009	10μF, 16V, Elect.
C102, C106		
C95, C96, C103	354782299	0.22μF, 50V, Elect.
C105	354742209	22μF, 16V, Elect.

SLIDE SWITCH PC BOARD (NASW-3948-1)-PART LIST

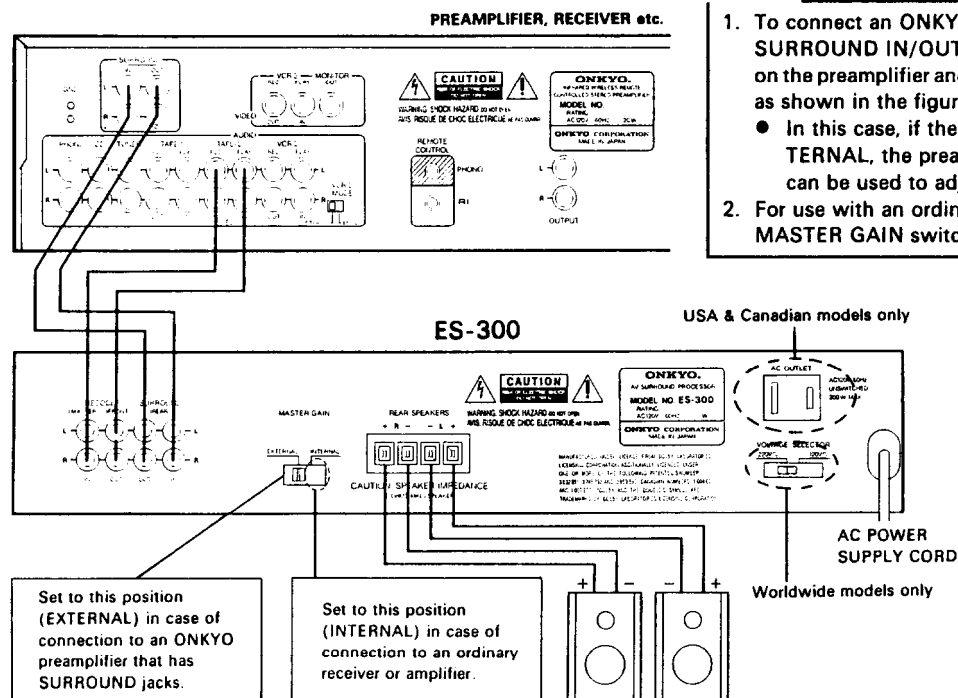
CIRCUIT NO.	PART NO.	DESCRIPTION
	Switch	
	△ 25065228	NSS-2299, Slide switch [W]

NOTE [D]: Only 120V model
[W]: Only 120V/220V model
[A]: Only Australian model

NOTE: THE COMPONENTS IDENTIFIED BY MARK △ ARE CRITICAL FOR RISK OF FIRE AND ELECTRIC SHOCK. REPLACE ONLY WITH PART NUMBERS SPECIFIED.

SYSTEM CONNECTIONS

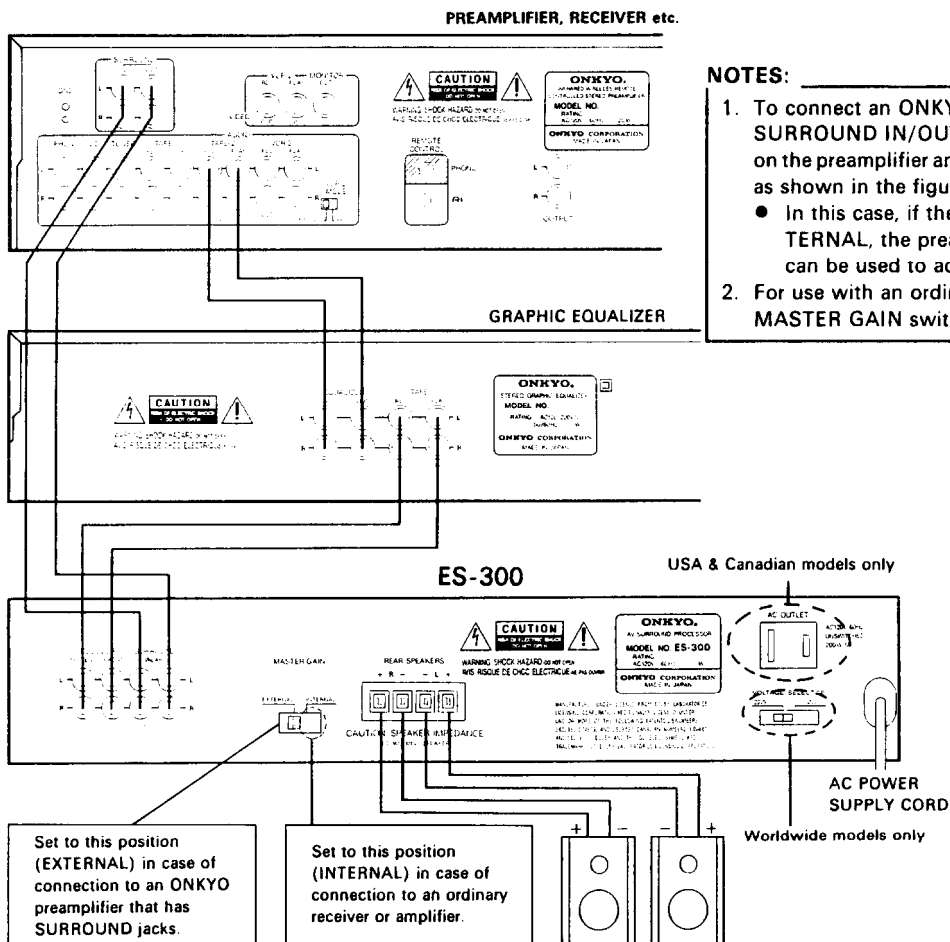
● Standard Connection Procedures



NOTES:

1. To connect an ONKYO preamplifier that is equipped with SURROUND IN/OUT jacks, connect the SURROUND jacks on the preamplifier and on the AV SURROUND PROCESSOR as shown in the figure.
 - In this case, if the MASTER GAIN switch is set to EXTERNAL, the preamplifier's MASTER VOLUME control can be used to adjust the volume of the rear speakers.
2. For use with an ordinary amplifier or receiver, leave the MASTER GAIN switch set to INTERNAL.

● To connect the AV SURROUND PROCESSOR to a GRAPHIC EQUALIZER:



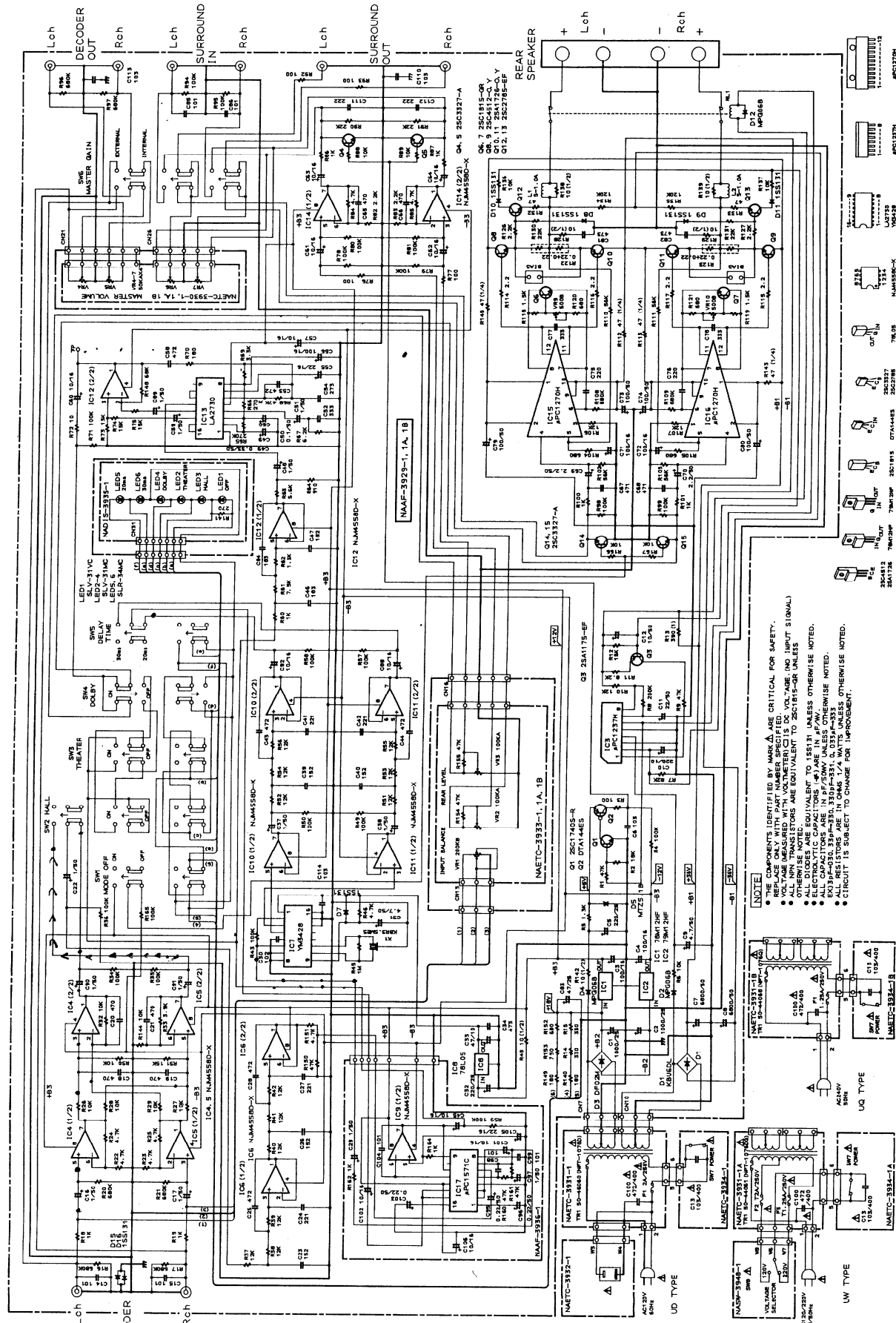
NOTES:

1. To connect an ONKYO preamplifier that is equipped with SURROUND IN/OUT jacks, connect the SURROUND jacks on the preamplifier and on the AV SURROUND PROCESSOR as shown in the figure.
 - In this case, if the MASTER GAIN switch is set to EXTERNAL, the preamplifier's MASTER VOLUME control can be used to adjust the volume of the rear speakers.
2. For use with an ordinary amplifier or receiver, leave the MASTER GAIN switch set to INTERNAL.

SCHEMATIC DIAGRAM

Model ES-300

A B C D E F G



NOTE


- THE COMPONENTS IDENTIFIED BY MARK Δ ARE CRITICAL FOR SAFETY.
- USE ONLY PART NUMBERS SPECIFIED. USE Δ FOR INPUT SIGNAL.
- ALL NPN TRANSISTORS ARE EQUIVALENT TO 2SC1815-OR UNLESS NOTED.
- ALL DIODES ARE EQUIVALENT TO 1N4148 UNLESS OTHERWISE NOTED.
- ELECTROLYTIC CAPACITORS (C) ARE IN μF/WV UNLESS OTHERWISE NOTED.
- EXCEPT 400V 330μF-35V 1000μF 50PF/50V UNLESS OTHERWISE NOTED.
- ALL RESISTORS ARE IN OHMS 1/4 WATT UNLESS OTHERWISE NOTED.
- CIRCUIT IS SUBJECT TO CHANGE FOR IMPROVEMENT.

- IC1 2SC1815-CR V
- IC2 2SC1815-CR V
- IC3 2SC1815-CR V
- IC4 2SC1815-CR V
- IC5 2SC1815-CR V
- IC6 2SC1815-CR V
- IC7 2SC1815-CR V
- IC8 2SC1815-CR V
- IC9 2SC1815-CR V
- IC10 2SC1815-CR V
- IC11 2SC1815-CR V
- IC12 2SC1815-CR V
- IC13 2SC1815-CR V
- IC14 2SC1815-CR V
- IC15 2SC1815-CR V
- IC16 2SC1815-CR V
- IC17 2SC1815-CR V
- IC18 2SC1815-CR V
- IC19 2SC1815-CR V
- IC20 2SC1815-CR V
- IC21 2SC1815-CR V
- IC22 2SC1815-CR V
- IC23 2SC1815-CR V
- IC24 2SC1815-CR V
- IC25 2SC1815-CR V
- IC26 2SC1815-CR V
- IC27 2SC1815-CR V
- IC28 2SC1815-CR V
- IC29 2SC1815-CR V
- IC30 2SC1815-CR V
- IC31 2SC1815-CR V
- IC32 2SC1815-CR V
- IC33 2SC1815-CR V
- IC34 2SC1815-CR V
- IC35 2SC1815-CR V
- IC36 2SC1815-CR V
- IC37 2SC1815-CR V
- IC38 2SC1815-CR V
- IC39 2SC1815-CR V
- IC40 2SC1815-CR V
- IC41 2SC1815-CR V
- IC42 2SC1815-CR V
- IC43 2SC1815-CR V
- IC44 2SC1815-CR V
- IC45 2SC1815-CR V
- IC46 2SC1815-CR V
- IC47 2SC1815-CR V
- IC48 2SC1815-CR V
- IC49 2SC1815-CR V
- IC50 2SC1815-CR V
- IC51 2SC1815-CR V
- IC52 2SC1815-CR V
- IC53 2SC1815-CR V
- IC54 2SC1815-CR V
- IC55 2SC1815-CR V
- IC56 2SC1815-CR V
- IC57 2SC1815-CR V
- IC58 2SC1815-CR V
- IC59 2SC1815-CR V
- IC60 2SC1815-CR V
- IC61 2SC1815-CR V
- IC62 2SC1815-CR V
- IC63 2SC1815-CR V
- IC64 2SC1815-CR V
- IC65 2SC1815-CR V
- IC66 2SC1815-CR V
- IC67 2SC1815-CR V
- IC68 2SC1815-CR V
- IC69 2SC1815-CR V
- IC70 2SC1815-CR V
- IC71 2SC1815-CR V
- IC72 2SC1815-CR V
- IC73 2SC1815-CR V
- IC74 2SC1815-CR V
- IC75 2SC1815-CR V
- IC76 2SC1815-CR V
- IC77 2SC1815-CR V
- IC78 2SC1815-CR V
- IC79 2SC1815-CR V
- IC80 2SC1815-CR V
- IC81 2SC1815-CR V
- IC82 2SC1815-CR V
- IC83 2SC1815-CR V
- IC84 2SC1815-CR V
- IC85 2SC1815-CR V
- IC86 2SC1815-CR V
- IC87 2SC1815-CR V
- IC88 2SC1815-CR V
- IC89 2SC1815-CR V
- IC90 2SC1815-CR V
- IC91 2SC1815-CR V
- IC92 2SC1815-CR V
- IC93 2SC1815-CR V
- IC94 2SC1815-CR V
- IC95 2SC1815-CR V
- IC96 2SC1815-CR V
- IC97 2SC1815-CR V
- IC98 2SC1815-CR V
- IC99 2SC1815-CR V
- IC100 2SC1815-CR V
- IC101 2SC1815-CR V
- IC102 2SC1815-CR V
- IC103 2SC1815-CR V
- IC104 2SC1815-CR V
- IC105 2SC1815-CR V
- IC106 2SC1815-CR V
- IC107 2SC1815-CR V
- IC108 2SC1815-CR V
- IC109 2SC1815-CR V
- IC110 2SC1815-CR V
- IC111 2SC1815-CR V
- IC112 2SC1815-CR V
- IC113 2SC1815-CR V
- IC114 2SC1815-CR V
- IC115 2SC1815-CR V
- IC116 2SC1815-CR V
- IC117 2SC1815-CR V
- IC118 2SC1815-CR V
- IC119 2SC1815-CR V
- IC120 2SC1815-CR V
- IC121 2SC1815-CR V
- IC122 2SC1815-CR V
- IC123 2SC1815-CR V
- IC124 2SC1815-CR V
- IC125 2SC1815-CR V
- IC126 2SC1815-CR V
- IC127 2SC1815-CR V
- IC128 2SC1815-CR V
- IC129 2SC1815-CR V
- IC130 2SC1815-CR V
- IC131 2SC1815-CR V
- IC132 2SC1815-CR V
- IC133 2SC1815-CR V
- IC134 2SC1815-CR V
- IC135 2SC1815-CR V
- IC136 2SC1815-CR V
- IC137 2SC1815-CR V
- IC138 2SC1815-CR V
- IC139 2SC1815-CR V
- IC140 2SC1815-CR V
- IC141 2SC1815-CR V
- IC142 2SC1815-CR V
- IC143 2SC1815-CR V
- IC144 2SC1815-CR V
- IC145 2SC1815-CR V
- IC146 2SC1815-CR V
- IC147 2SC1815-CR V
- IC148 2SC1815-CR V
- IC149 2SC1815-CR V
- IC150 2SC1815-CR V
- IC151 2SC1815-CR V
- IC152 2SC1815-CR V
- IC153 2SC1815-CR V
- IC154 2SC1815-CR V
- IC155 2SC1815-CR V
- IC156 2SC1815-CR V
- IC157 2SC1815-CR V
- IC158 2SC1815-CR V
- IC159 2SC1815-CR V
- IC160 2SC1815-CR V
- IC161 2SC1815-CR V
- IC162 2SC1815-CR V
- IC163 2SC1815-CR V
- IC164 2SC1815-CR V
- IC165 2SC1815-CR V
- IC166 2SC1815-CR V
- IC167 2SC1815-CR V
- IC168 2SC1815-CR V
- IC169 2SC1815-CR V
- IC170 2SC1815-CR V
- IC171 2SC1815-CR V
- IC172 2SC1815-CR V
- IC173 2SC1815-CR V
- IC174 2SC1815-CR V
- IC175 2SC1815-CR V
- IC176 2SC1815-CR V
- IC177 2SC1815-CR V
- IC178 2SC1815-CR V
- IC179 2SC1815-CR V
- IC180 2SC1815-CR V
- IC181 2SC1815-CR V
- IC182 2SC1815-CR V
- IC183 2SC1815-CR V
- IC184 2SC1815-CR V
- IC185 2SC1815-CR V
- IC186 2SC1815-CR V
- IC187 2SC1815-CR V
- IC188 2SC1815-CR V
- IC189 2SC1815-CR V
- IC190 2SC1815-CR V
- IC191 2SC1815-CR V
- IC192 2SC1815-CR V
- IC193 2SC1815-CR V
- IC194 2SC1815-CR V
- IC195 2SC1815-CR V
- IC196 2SC1815-CR V
- IC197 2SC1815-CR V
- IC198 2SC1815-CR V
- IC199 2SC1815-CR V
- IC200 2SC1815-CR V

PACKING PARTS LIST

REF. NO.	PART NO.	DESCRIPTION
A851	29052075	Master carton box
A852	29091420	Pad
A853	29100110	800 × 450, Poly-vinyl bag
A854	29110077-1	Damplon tape
A855	282301	Sealing hook
	ACCESSARY BAG ASS'Y	
A891	29341518	Instruction manual
A893	2010112	Connection cable
A896	29100006A	250 × 360, Poly-vinyl bag
	29365019	Warranty card [N]
	29358002H	Service station list [N]
	25055040	CV-K-2, Conversion plug [W]

NOTE [N]: Only U.S.A. model
 [W]: Only 120V/220V model

Manufactured under license from Dolby Laboratories Licensing Corporation. Additionally licensed under one or more of the following patents: U.S. numbers 3,632,886, 3,746,792 and 3,959,590; Canadian numbers 1,004,603 and 1,037,877. "Dolby" and the double-D symbol  are trademarks of Dolby Laboratories Licensing Corporation.